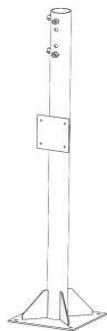




Elios Arbora P4-C
Pole Mount System for 4 Solar Panels
Installation Manual

Outer post: 1850mm



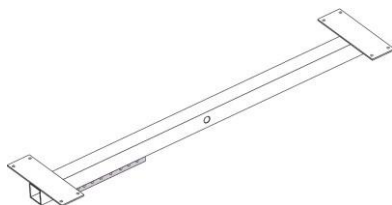
x1

Inner post: 1850mm



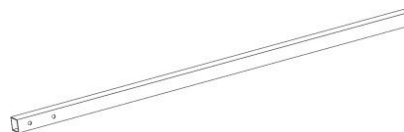
x1

Beam:1800mm



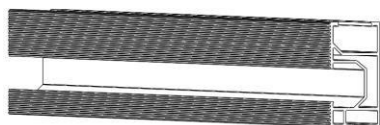
x1

Secondary
Beam:1900mm



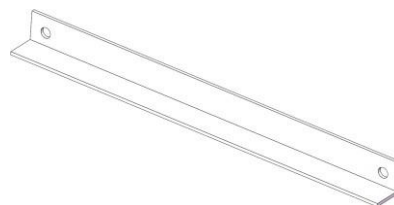
x4

Rail:2400mm

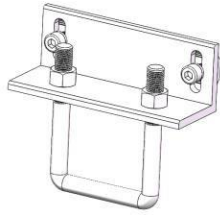


x4

Support:
555mmx2pcs
1450mmx8pcs

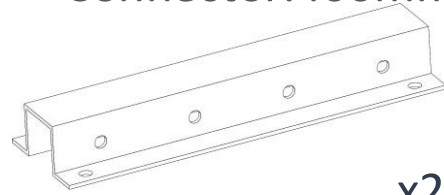


L Splice



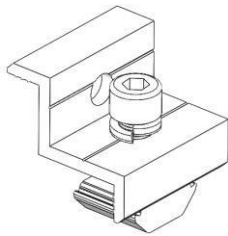
x8

Secondary Beam
Connector:400mm



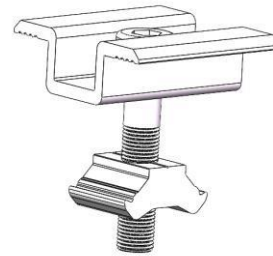
x2

30/35mm End Clamp



x8

30/35mm Mid Clamp



x4

M20*150mm



x2

M27*150mm



x1

M12*90mm

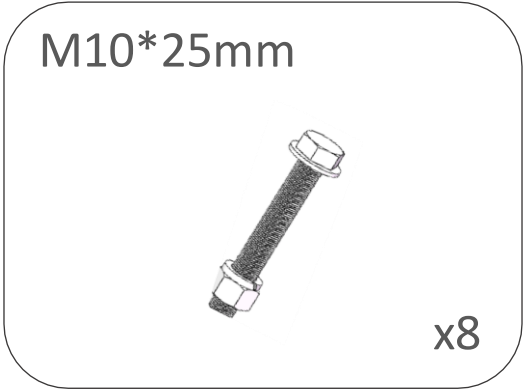
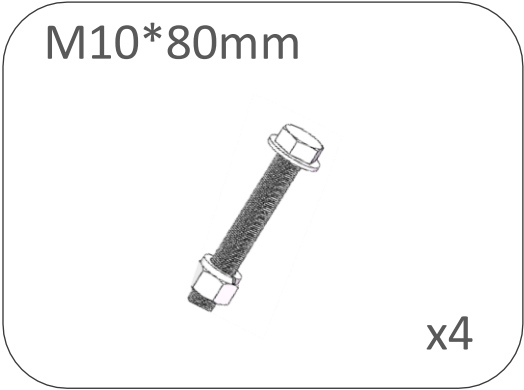


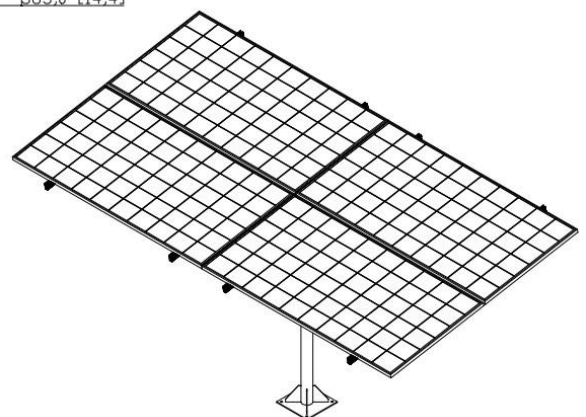
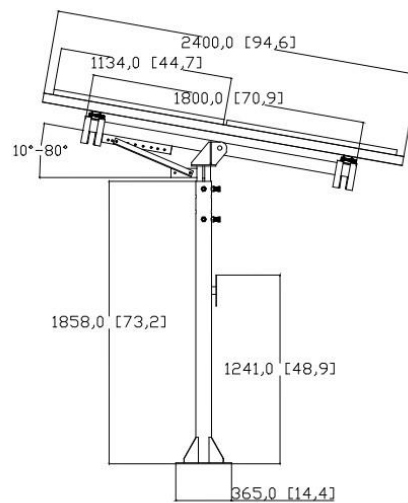
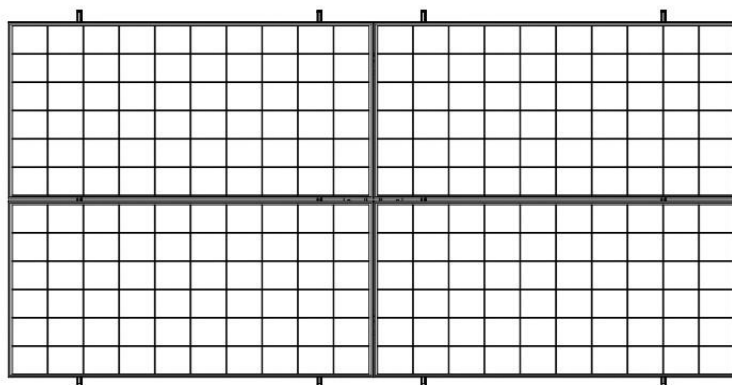
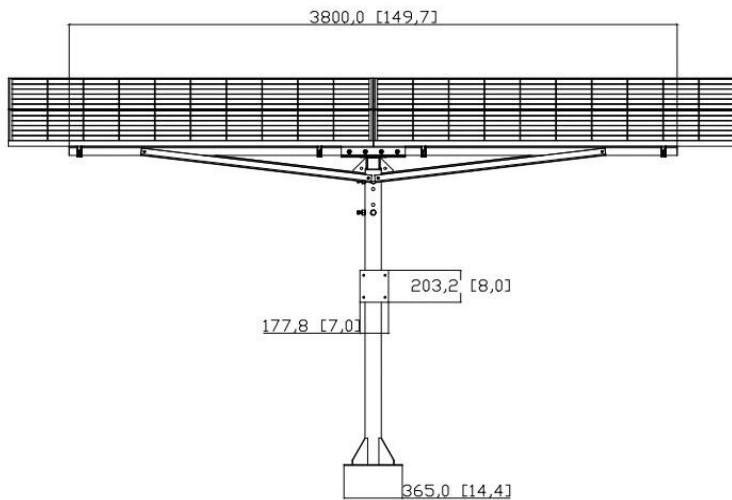
x8

M12*45mm



x10



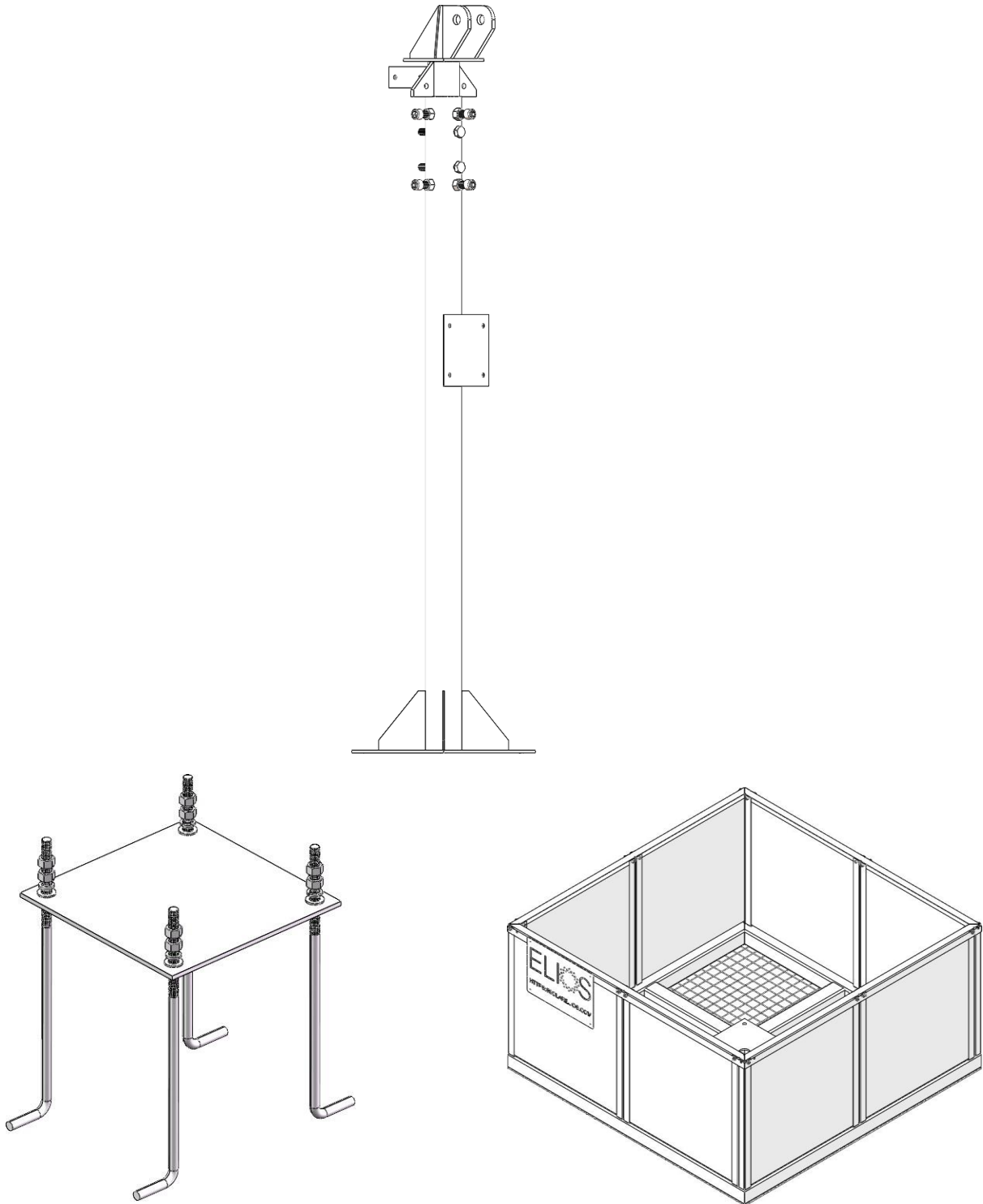


Technical information:

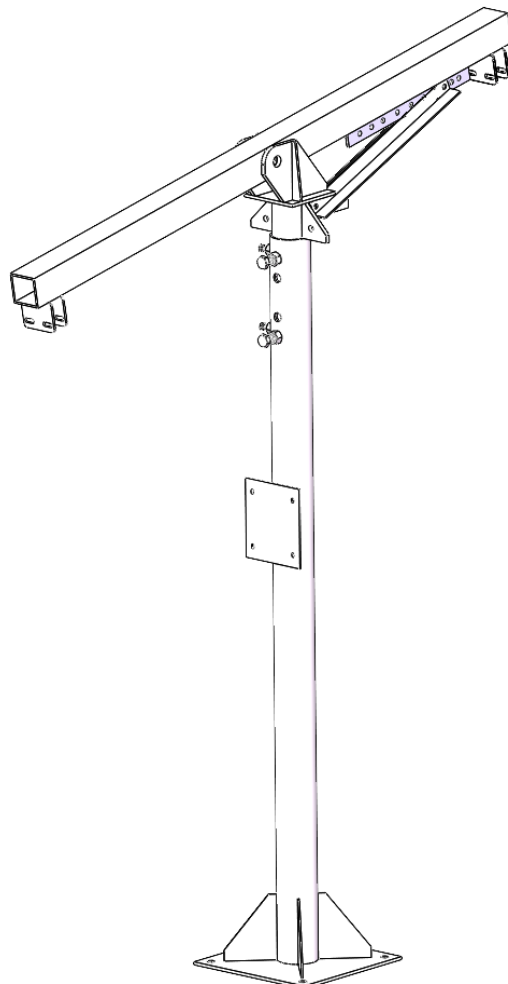
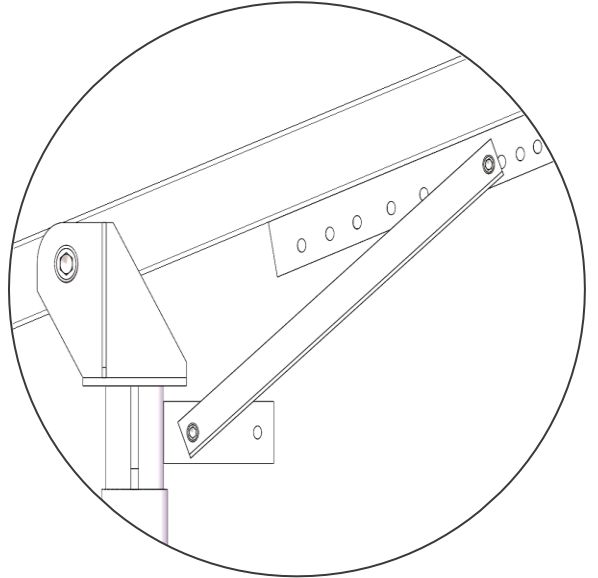
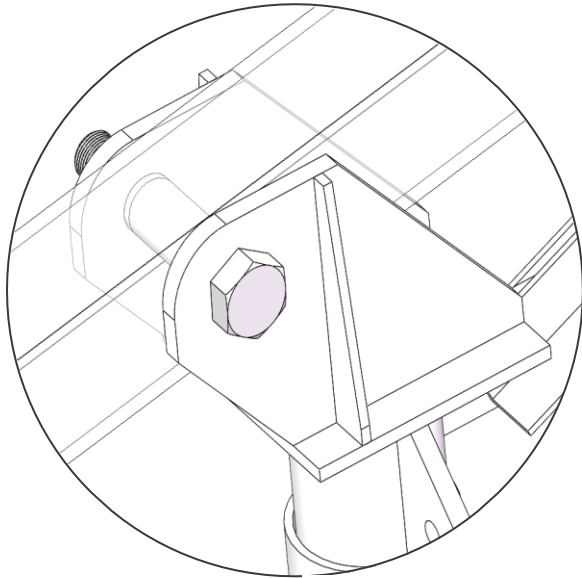
1. All size units "mm".
2. Module size is 2278x1134x35mm, unit array is 2x2 panels (8pcs). With 10-80° of inclination.

Step 1. It is very important to make a proper square line so that the panels are installed straight.

As shown in the figure: First, install the post to the basket or foundation bolt.

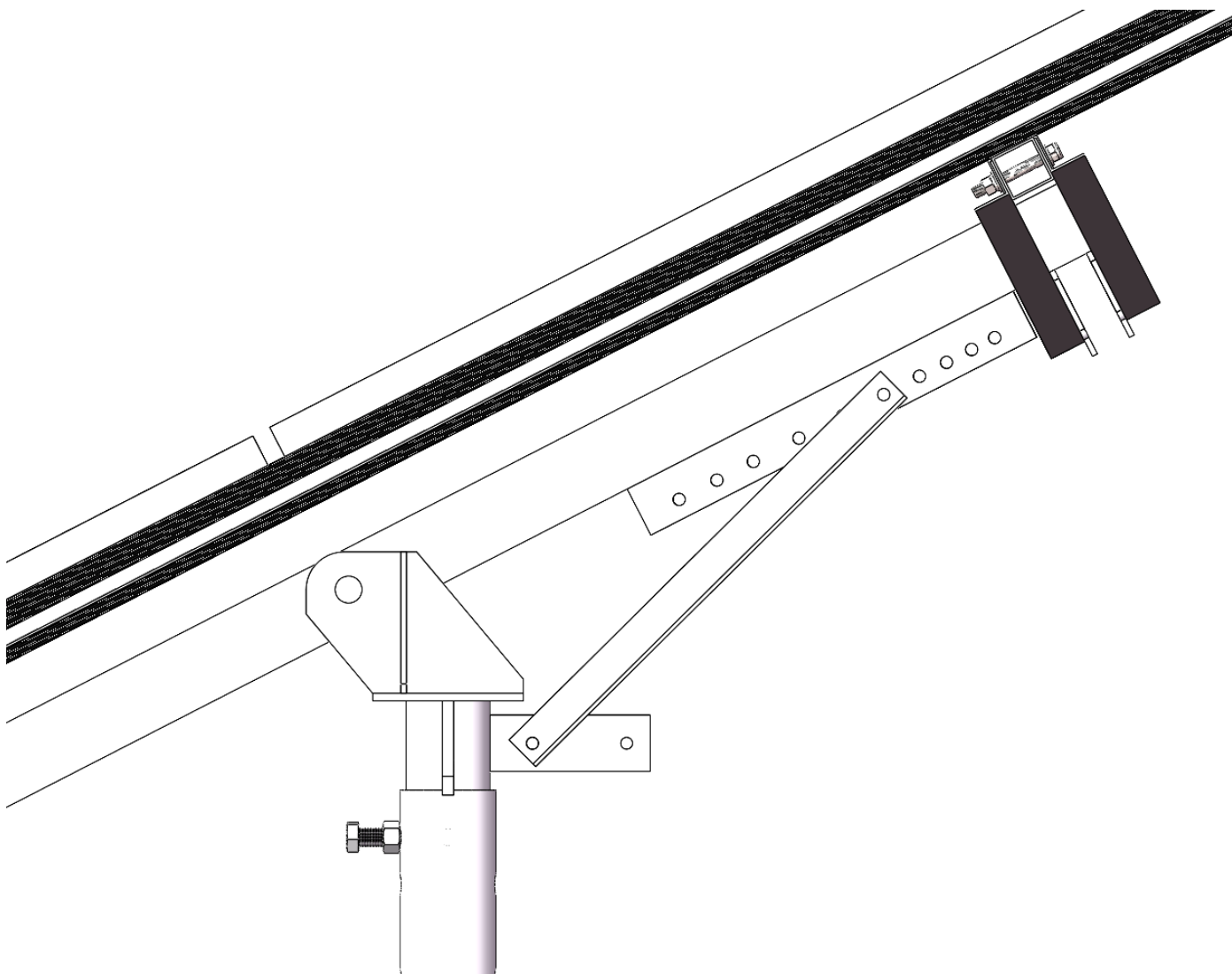


Step 2. As shown in the figure: Mount the beam on top of the inner post, fasten it with M27×150mm bolts, adjust the angle properly, and then fasten the two support(555mm) rods with M12×45mm bolts.

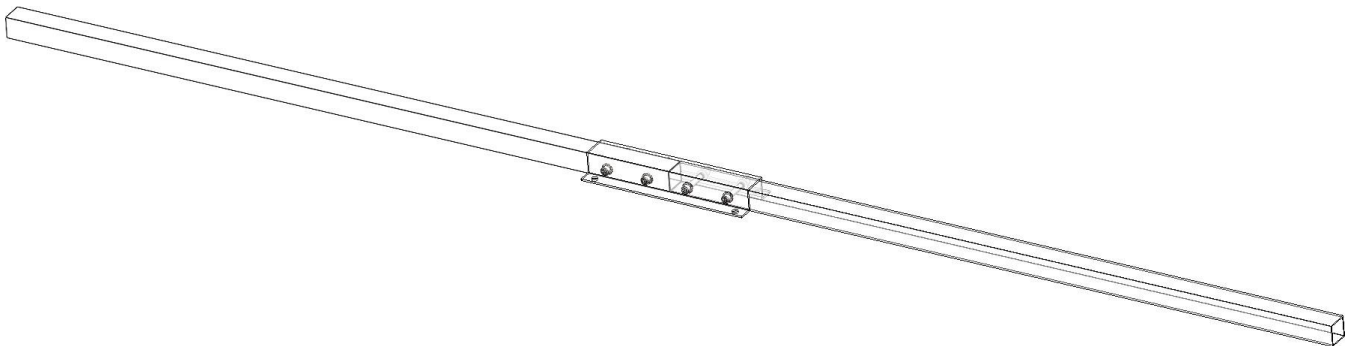
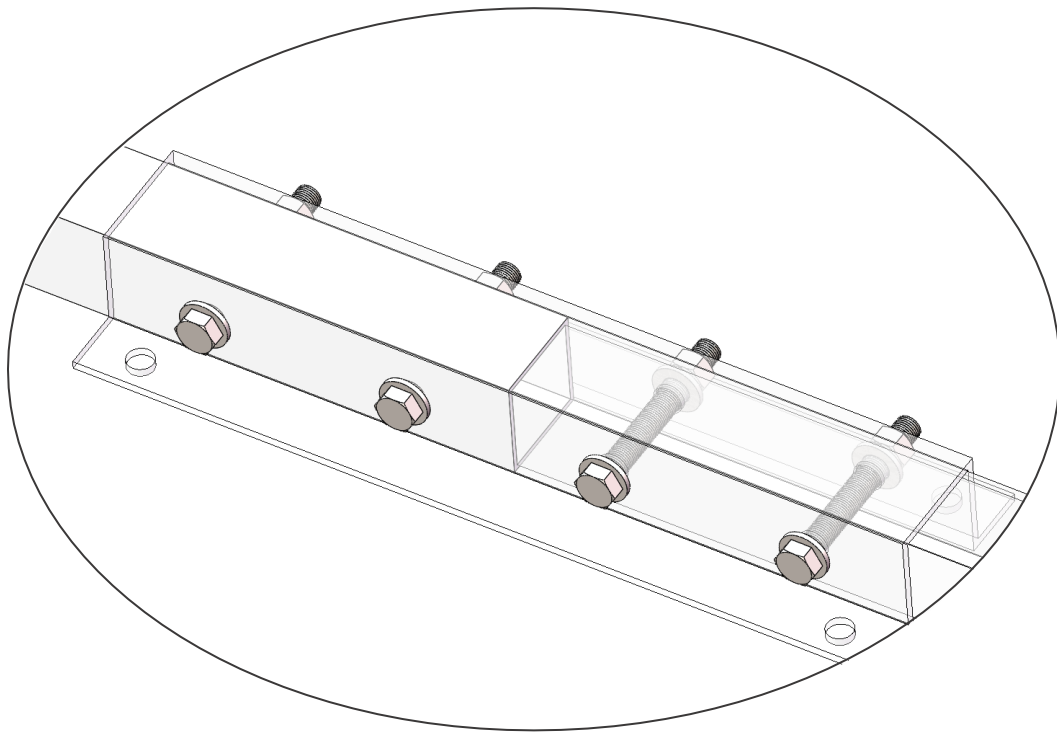


Installation Steps:

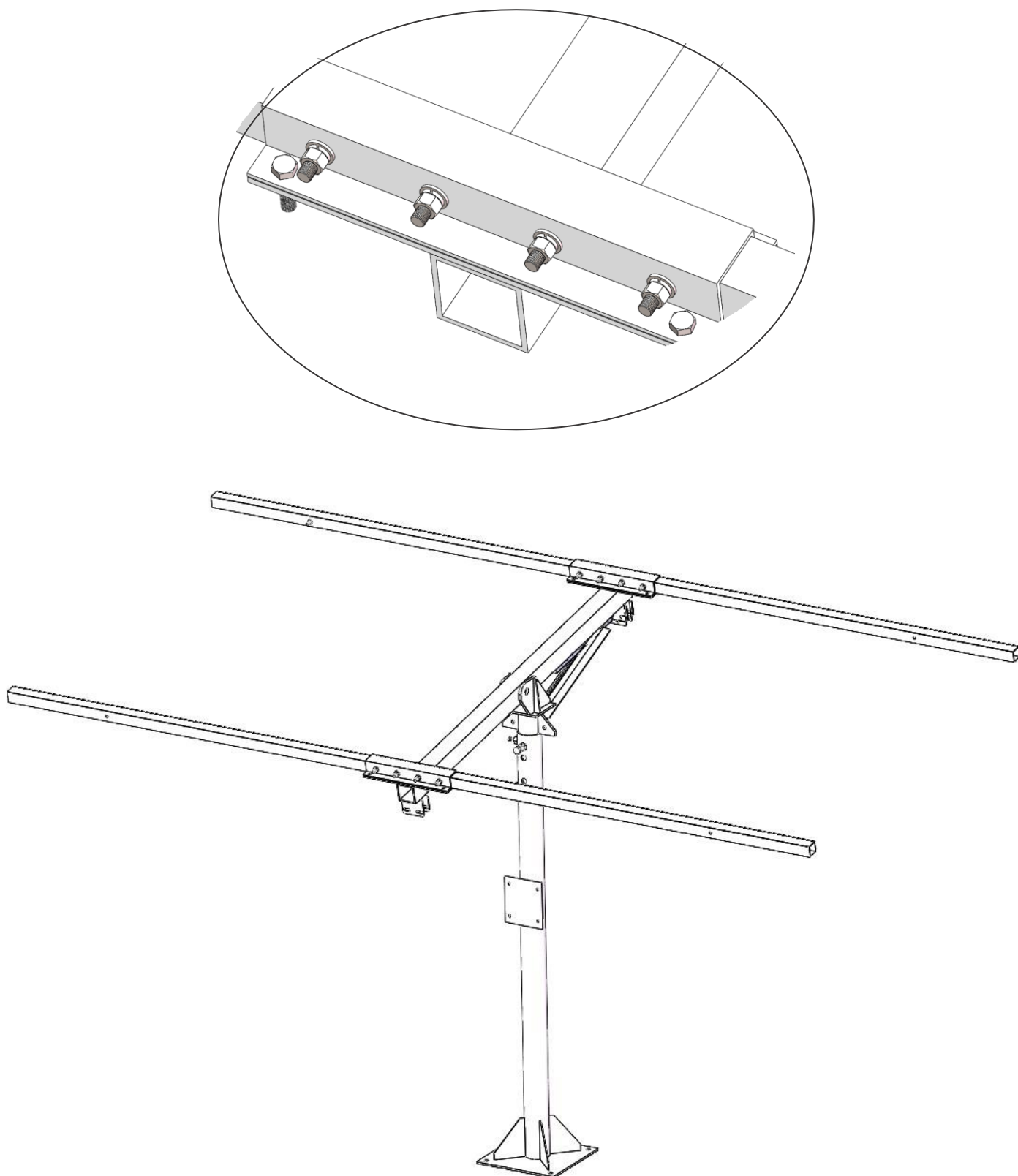
Adjustable tilt: 10-80°, each hole is 10°.



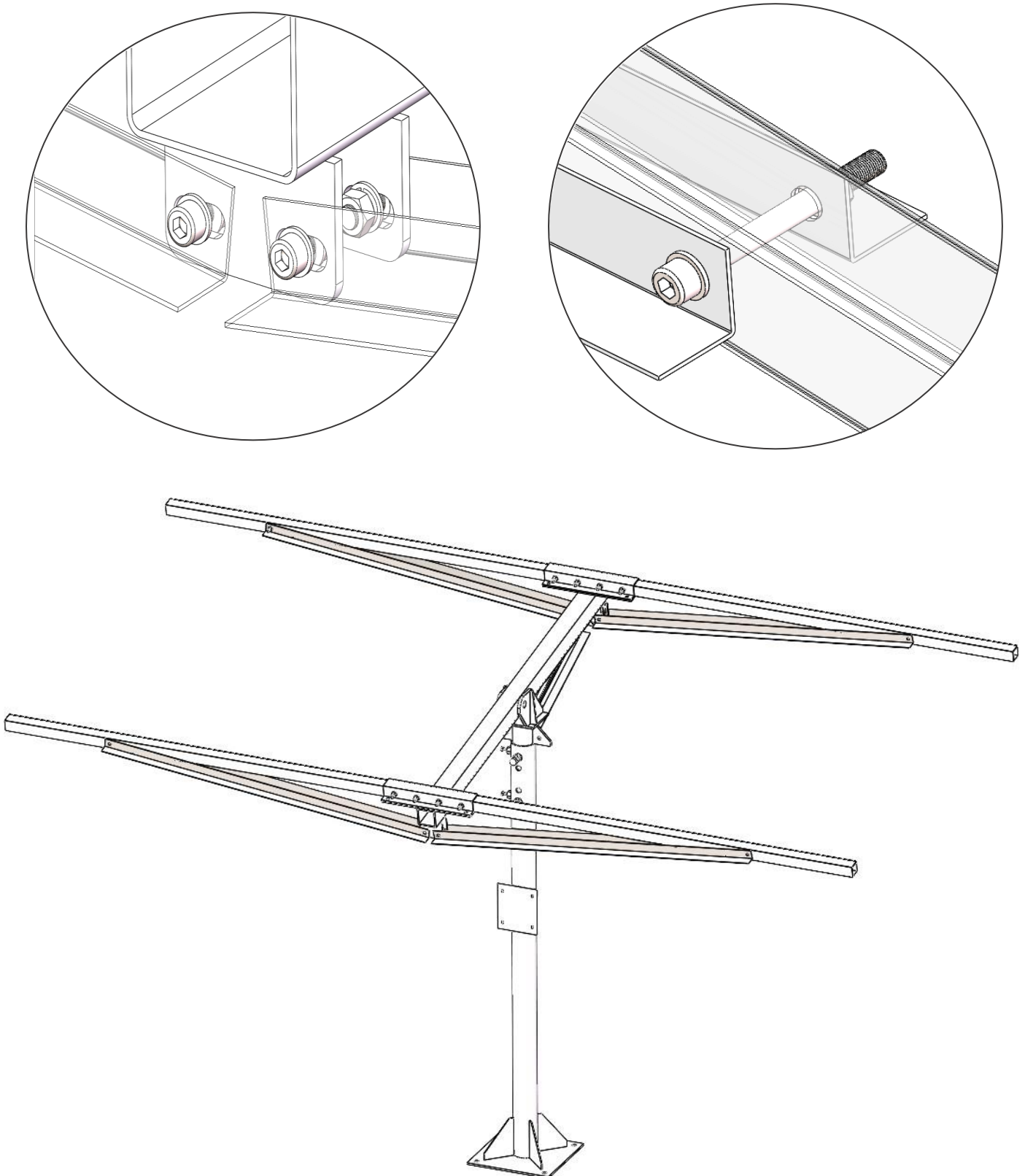
Step 3. As shown in the figure: Connect the two secondary beams and fasten them with M12×90mm bolts.



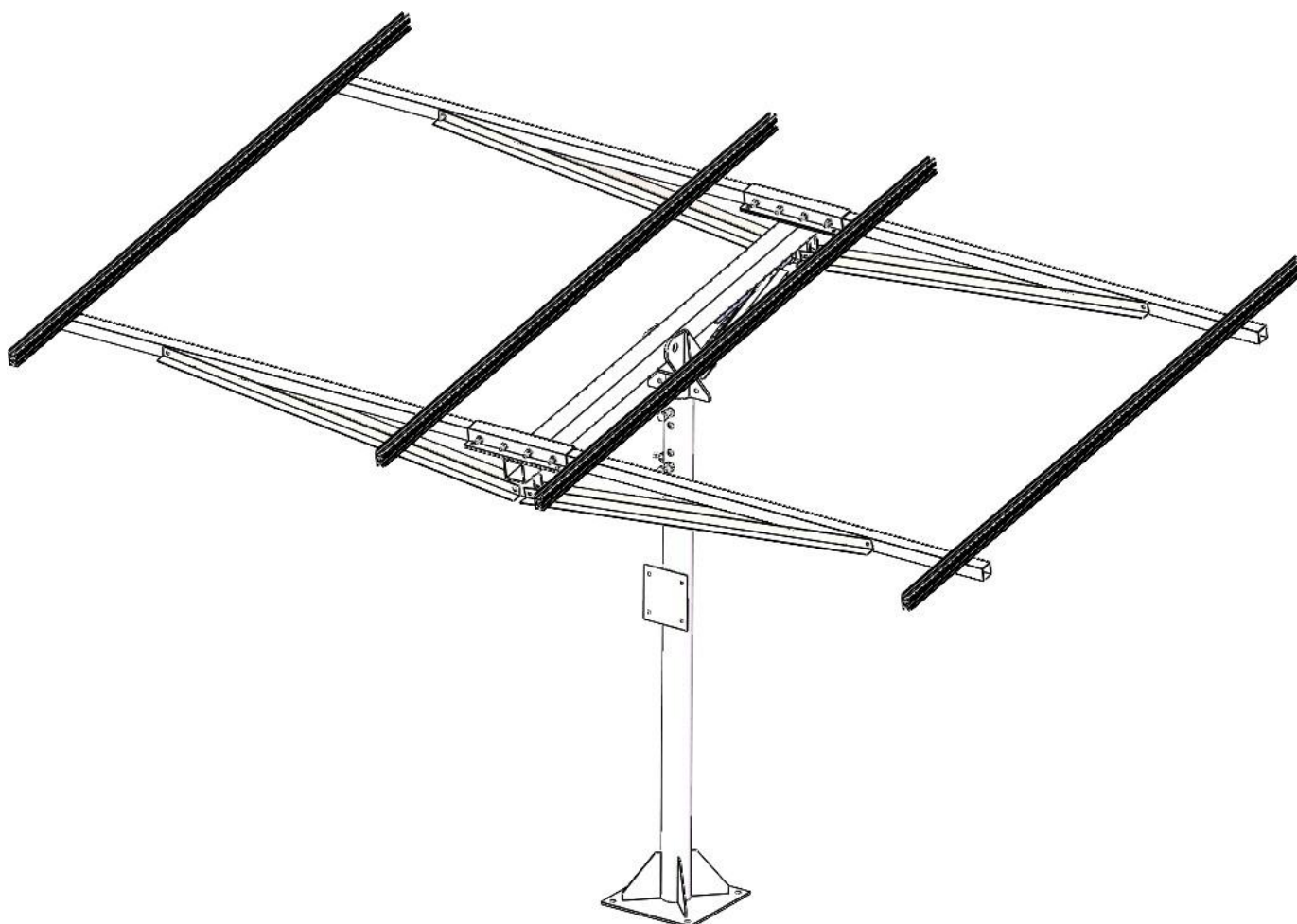
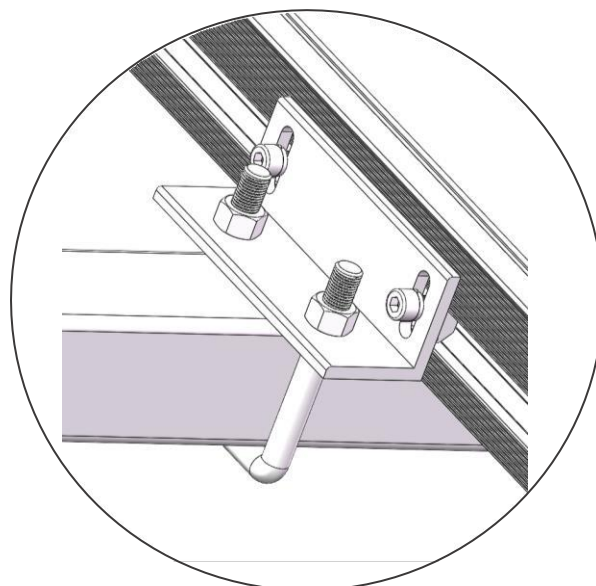
Step 4. As shown in the figure: Fix the connected secondary beams to the beam using M12×45mm bolts.



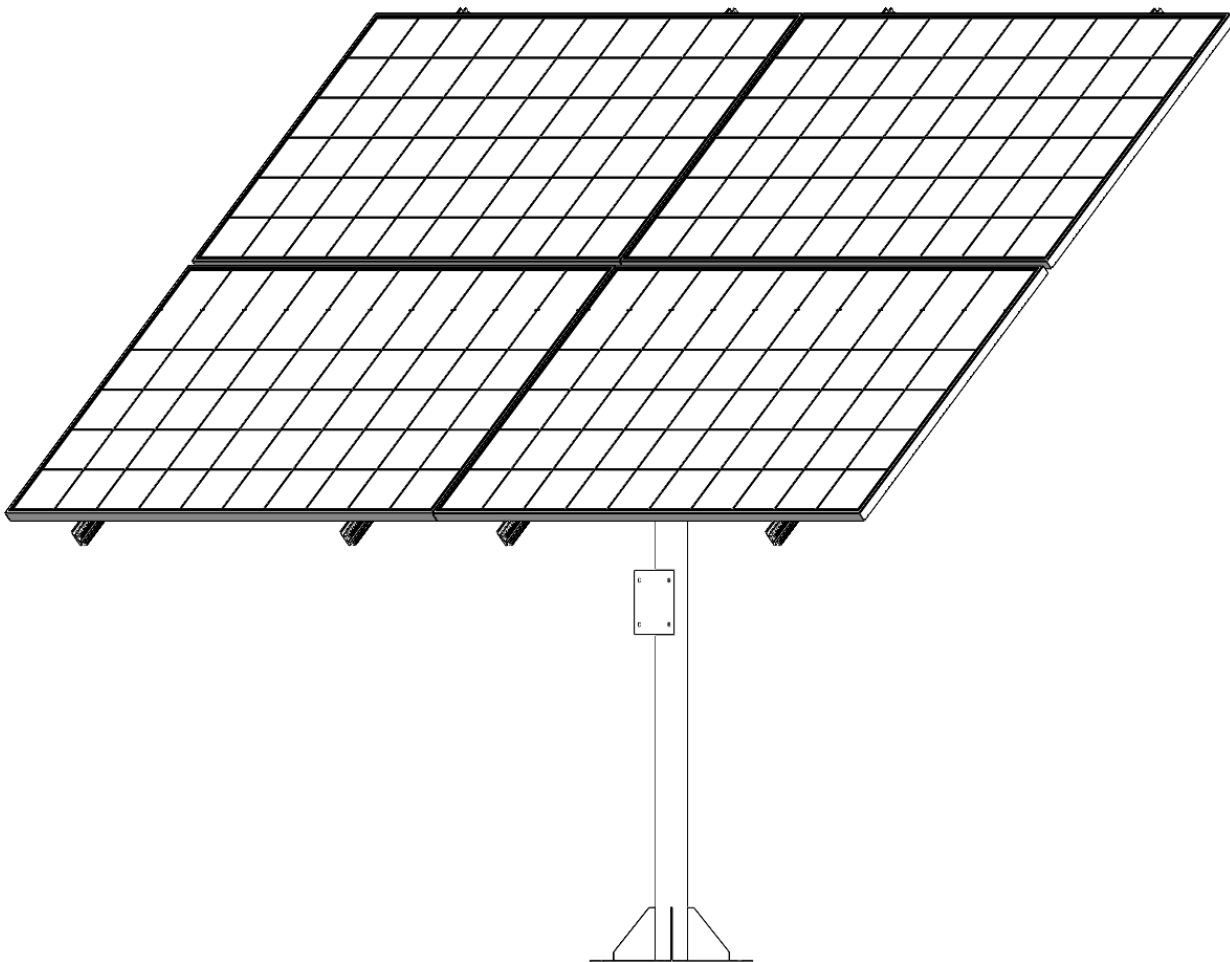
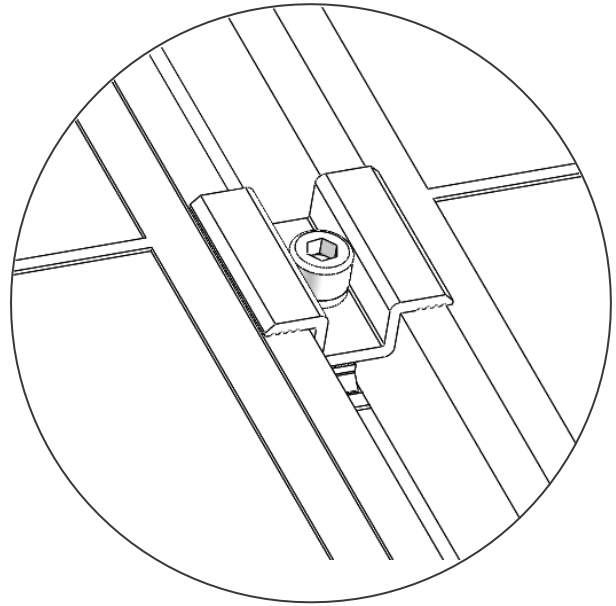
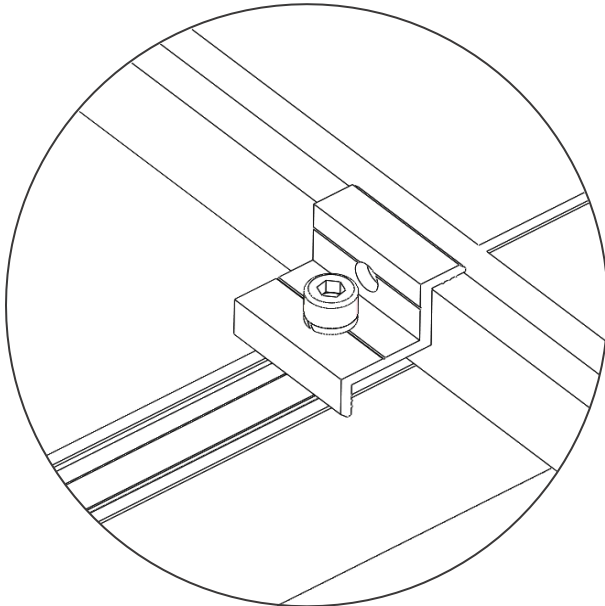
Step 5. As shown in the figure: Install the support(1450mm) for the secondary beam with M10×25mm and M10×80mm bolts.



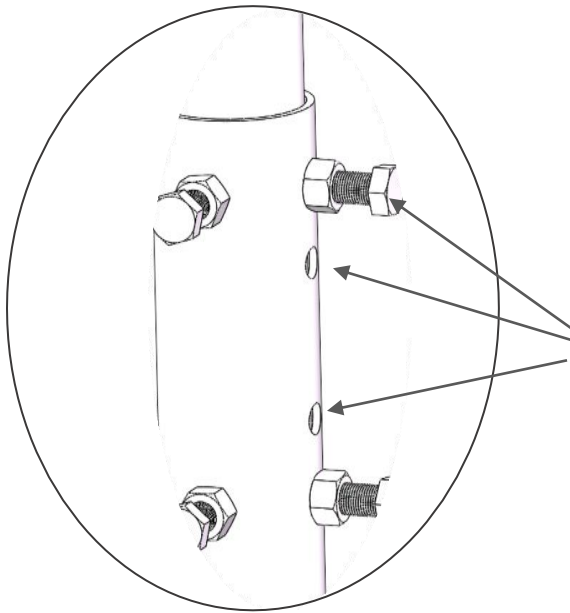
Step 6. Secure the rail to the secondary beam using L splices.



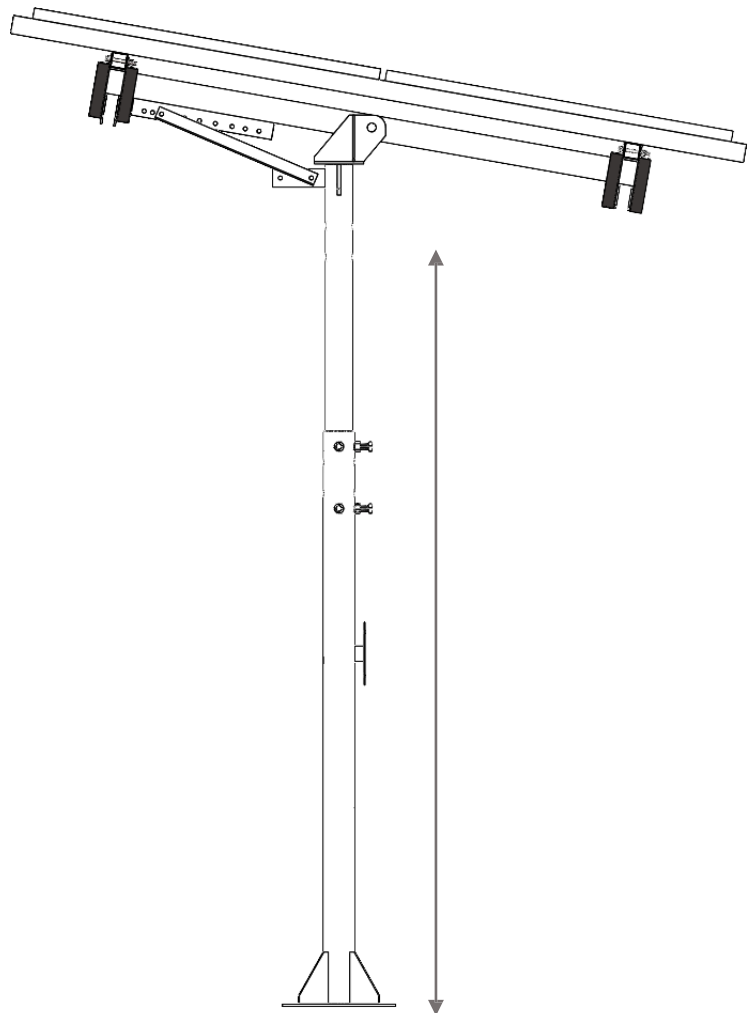
Step 7. Finally, fix the solar panels in place with end clamps and mid clamps. (The clamps are suitable for 30/35mm thickness solar panels).



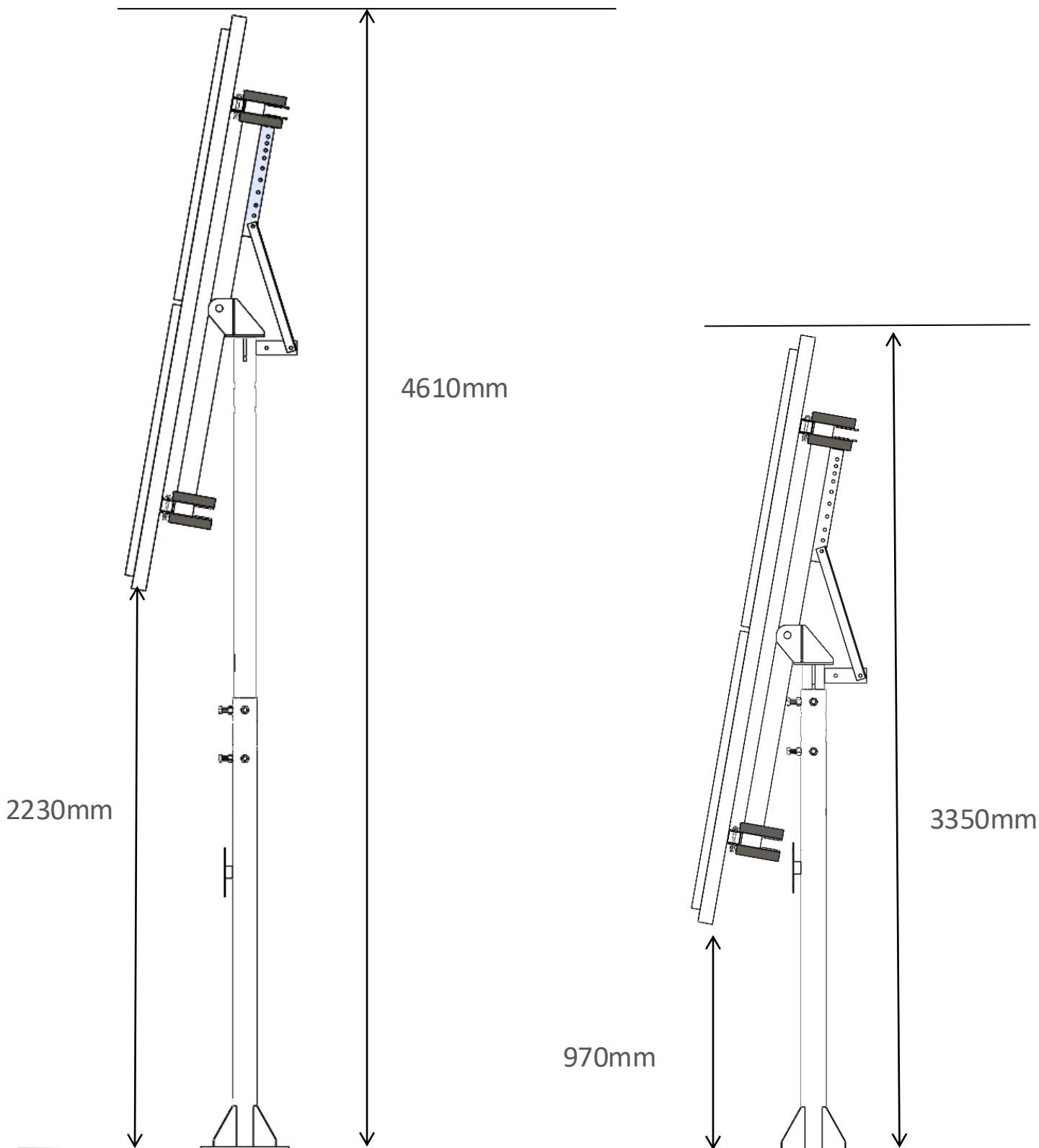
Step 8. As shown in the figure: Adjust to the proper height and fasten with M20×50mm and M20×150mm bolts.



Note: once height is confirmed, insert and tighten the two M20×150mm bolts and four M20x59mm through the holes.



At 80°: 2278 x 1134 x 35 mm; height as shown below.





Address

4480 Av. des Industries,
Laval, QC H7C 1A2

Phone

(514) 863-7097

Email

info@solarelios.com

Website

www.solarelios.com