



## Elios Koala M1

1 Solar Panel Mounting Bracket System

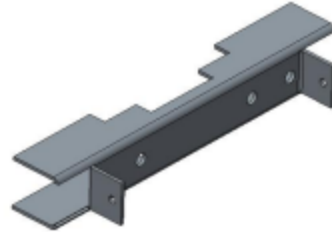
**Installation Manual**

L feet



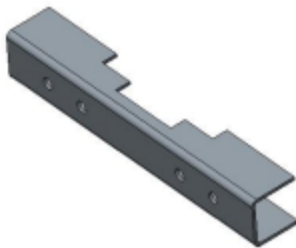
x3

U bracket-1



x1

U bracket-2



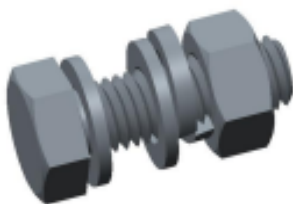
x1

Bolt (M12\*300mm)



x1

Bolt (M8\*25mm)

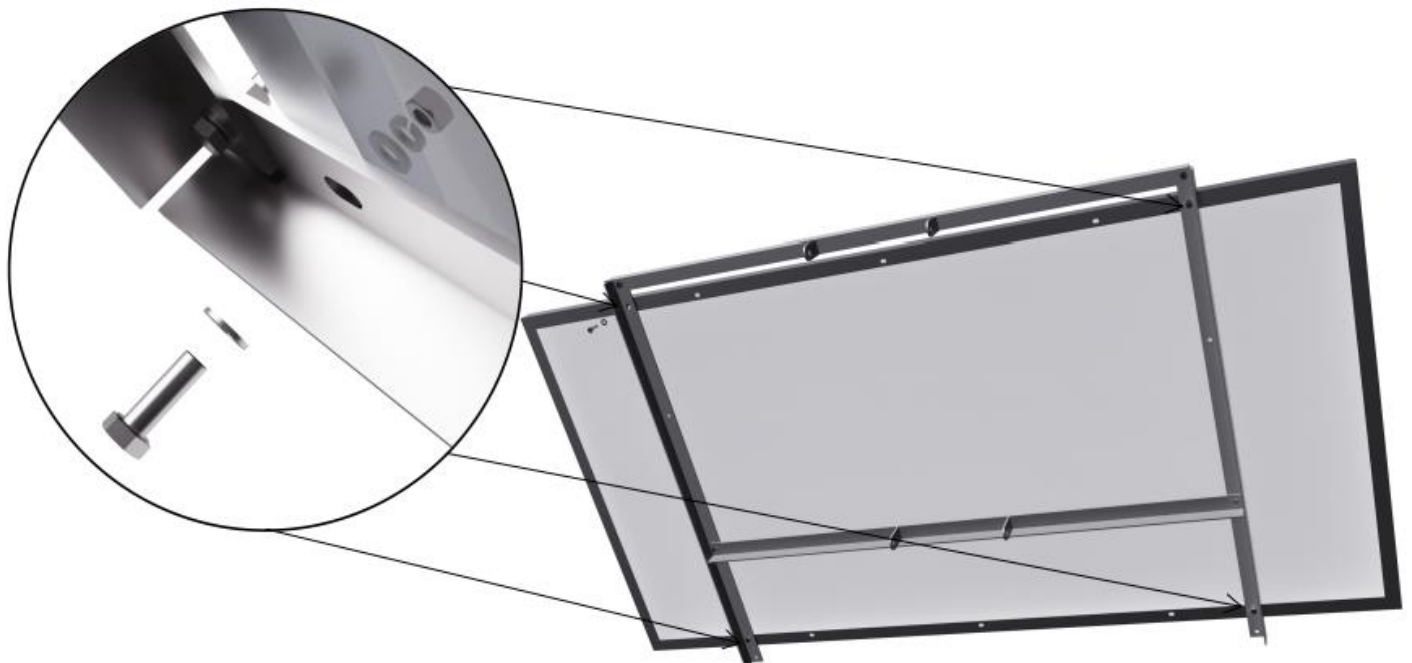


x1

**Step1.** Connect 2pcs of L feet-1 and 2pcs of L feet-2 with Bolt (M8x25mm).



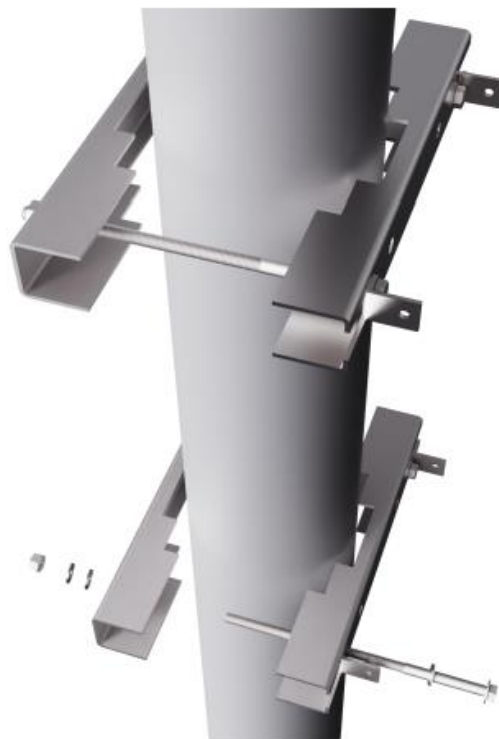
**Step2.** Install the mounting bracket to the mounting holes of panel with Bolt (M8x25mm).



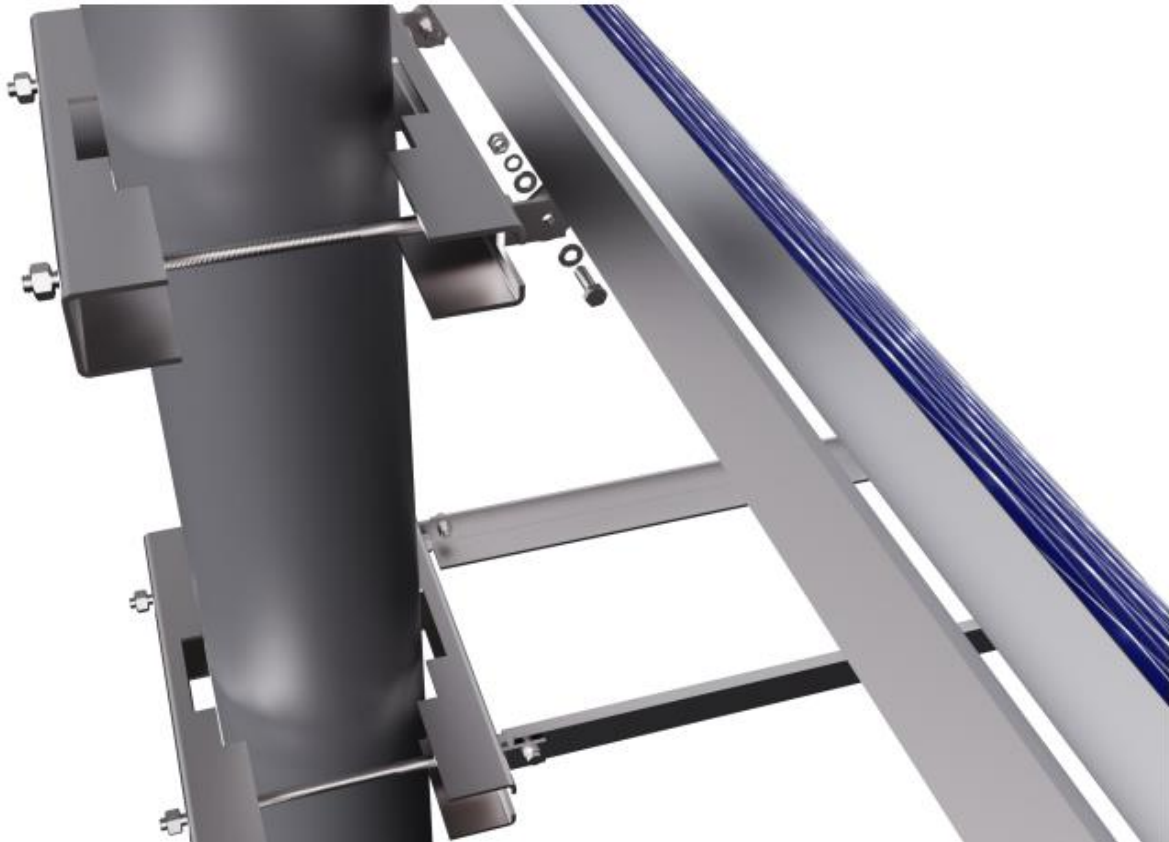
**Step3.** Connect 2pcs of L feet-3 with Bolt (M8x25mm).



**Step4.** Install the U bracket-1 and U bracket-2 to the pole with Bolt (M12x300mm). Pls note: the brackets do not include the pole. Pole diameter:  $\Phi 110\sim\Phi 220\text{mm}$ .



**Step5.** Connect the L feet and U bracket with Bolt (M8x25mm).



**Step6.** Finished.

