

ELIOS | LITIO10.2



Rechargeable LV Battery Quick Installation Guide

LITIO10.2

Ver 1.0

Revision History

Date	Revision	Description	Owner
2024-09-04	V1.0	Initial Release	WR Wu

Contents

1. Detailed Specifications	1
2. General information	2
2.1 Product validity.....	2
2.2 Target group.....	2
2.3 Symbols.....	2
3. Safety	3
3.1 Important safety instructions.....	3
3.2 Installation requirements.....	4
3.3 Grounding requirement.....	4
3.4 Personal safety.....	4
3.5 Equipment security.....	4
3.6 Symbols on the label.....	5
4. Unpacking and storage	6
4.1 Scope of delivery.....	6
5. Product overview	7
5.1 Interfaces and functions.....	7
6. Mounting	8
6.1 Installation environment requirements.....	8
6.2 Wall Mounting Steps.....	9
7. System Diagram	11
7.1 Single Unit.....	11
7.2 Two (2) Batteries in parallel Connection.....	12
7.3 Three (3) Batteries in parallel Connection.....	13
8. Electrical connection	15
8.1 Requirements for the Electrical connection.....	15
8.2 Electrical connection steps.....	17
9. Other	20
10. Routine maintenance	20
11. Recycling disposal	20

1. Detailed Specifications

Item Name	Specification	Remark
Rated Capacity	200 Ah	
Rated Voltage	51.2 V	
Rated Current	0.6C, 120 A	
Working Voltage Range	44.8-58.4 V	
Rated Energy	10.24 kWh	
Max. Parallel Quantity	Max. 16 Sets In Parallel, 163.84 kWh	
Rated Charging Current	0.6C, 120 A	
Rated Discharge Current	0.6C, 120 A	
Battery Max. Charge/Discharge Power	6.14 kW/6.14 kW	
Peak Discharge Current / Power	160 A/8.19 kW, 1 min	
Standard Charging Method	0.6C CC to 57.6 V; CV at 57.6 V until current is 0.05C	
Available SOC Range	0% ~ 100%	
SOC Transportation Range	50%	
Dimensions [W*D*H]	Width: 550 (±5) mm/21.7 in Depth: 165 (±5) mm/6.5 in Height: 1000 (±5) mm/39.4 in	
Weight	~ 213.8 lbs	
Operating Temperature ¹	Charging Temperature: 23 °F ~ 131 °F; Discharge Temperature: 5 °F ~ 131 °F	
Storage Temperature ²	5 °F ~ 131 °F	
Working Humidity	5-95% RH (Non-Condensing)	
Altitude ³	≤ 6561 feet	
Communication	CAN, RS485, Dry Contact, Wi-Fi	Wi-Fi Stick Option
Certifications	UL9540A, UL1973, UN38.3	
Designed Cycle Life (25°C±2°C)	6000 Cycles	0.5C/80%DOD/80%SOH/1 cycle per day
Warranty	10 Years	Working Condition 0.5 C @ 25 deg C, 80% DoD, 1 cycle per day
IP Rating	IP65	
Cooling	Natural Cooling	
Heating Power	230.4 W	
Environment Protection Standard	RoHS	

1. Recommended operating temperature: 50 °F ~ 86 °F.

2. Recommended Storage temperature: 50 °F ~ 86 °F.

3. Recommended working height is less than 6561 feet, and the max. working height is 10000 feet.

2. General information

2.1 Product validity

This document is valid for the following models:

- Elios Lificio10.2

2.2 Target audience

This document is intended for qualified persons who must perform the tasks exactly as described in this user manual.

All installation work must be performed by appropriately trained and qualified persons.

Qualified persons must possess the following skills:

- Knowledge of how batteries work and are operated.
- Training in how to deal with the dangers and risks associated with installing, repairing and using electrical devices and batteries and installations.
- Training in the installation and commissioning of electrical devices.
- Knowledge of all applicable laws, standards and directives.
- Knowledge of and compliance with this document and all safety information.

2.3 Symbols

DANGER

Indicates a hazardous situation which, if not avoided, will result in death or serious injury.

WARNING

Indicates a hazardous situation which, if not avoided, could result in death or serious injury.

CAUTION

Indicates a hazardous situation which, if not avoided, could result in minor or moderate injury.

NOTICE

Indicates a situation which, if not avoided, can result in property damage.



Information that is important for a specific topic or goal, however not related to safety.

3. Safety

3.1 Important safety instructions

The product has been designed and tested strictly according to the international safety requirements. As with all electrical or electronic devices, there are residual risks despite careful construction. To prevent personal injury and property damage and to ensure long-term operation of the product, read this section carefully and observe all safety information at all times.

DANGER

Danger to life due to electric shock where surge protection is not used!

If there is no surge protection, a voltage surge can be conducted into the building and to other connected devices in the same system through power cables, network cables or other types of cable. Touching live parts and cables may result in death or lethal injury due to electric shock.

- Ensure all devices in the same system and the inverter are integrated within existing surge protection systems/devices.
- Refer to local installation regulations to determine the requirements for the installation of surge protection devices.

WARNING

Danger to life due to electric shock from destruction of measurement devices due to overvoltage!

Overvoltage can damage a measurement device and result in voltage being present in the enclosure of the measurement device. Touching the live enclosure of the measuring device can result in death or lethal injuries due to electric shock.

- Only use measuring devices with a higher voltage range than the system battery voltage.

CAUTION

Risk of injury due to weight of product!

Injuries may result if the product is lifted incorrectly or dropped while being transported or mounted.

- Lift and transport the product carefully.
- Wear suitable personal protective equipment, in accordance with local regulations, when working on the product.

NOTICE

Damage to the battery system due to electrostatic discharge!

Internal components of the battery system can be irreparably damaged by electrostatic discharge.

- Ground yourself before touching any component.

3.2 Installation requirements

Before installing, operating, and maintaining the device, the personnel must be trained to understand all safety precautions and correct operation methods.

- Only qualified and trained personnel are allowed to install, operate, and maintain devices.
- Only qualified professionals are allowed to remove safety facilities and repair equipment.
- The product must be installed and used in accordance with the specifications described in this manual (refer to "Installation" and "Technical Specifications"). Otherwise, the product may be faulty, and the resulting abnormal function or component damage is not covered by the product quality guarantee.

3.3 Grounding requirement

The following applies only to devices that need to be grounded (except energy storage units).

- When installing devices, ground them. When removing the device, remove the ground cable at the end.
- Do not damage the ground conductor.
- Do not operate the device without a ground conductor installed. Before operating the device, check the electrical connections of the device to ensure that the device is reliably grounded.

3.4 Personal safety

- Do not operate devices or cables during thunderstorms.
- Before opening a device, wear ESD clothes, ESD gloves, and an ESD wrist strap. Remove conductive objects such as jewelry and watches to avoid electric shocks or burns.
- If there is a fire, evacuate the building or equipment area and press the fire alarm bell, or call the fire alarm number. Under no circumstances is it permitted to re-enter a burning building.
- Do not turn on the switch before the device installation is complete.

3.5 Equipment security

- Before operation, the device should be securely fixed to the floor or other stable objects, such as walls or mounting racks.
- Do not block vents when the system is running.
- Before powering on the device, ensure that screws inside the device are secured to prevent them from falling off during running.
- After installing the device, clear the empty packing materials from the device area.
- Replace unclear hazard signs promptly.
- In any case, do not change the structure of the equipment, installation sequence, etc., without the permission of the manufacturer.
- Do not use water to clean electrical components inside or outside the cabinet under any circumstances.
- Do not drill holes directly into the cabinet.

3.6 Symbols on the label



Beware of a danger zone

This symbol indicates that the product must be additionally grounded if additional grounding or equipotential bonding is required at the installation site.



Beware of high voltage and operating current!

The product operates at a high voltage and current. Work on the product must only be carried out by skilled and authorized personnel.



WEEE Designation

Do not dispose of the product together with household waste. Dispose the product in accordance with local disposal regulations for electronic waste.



The battery is recyclable

The battery can be recycled by a professional recycling organization, please refer to the relevant local regulations.



Observe the documentation

Read and understand all documentation supplied with the product.



ROHS marking

The EU material and process standards for electrical and electronic products make them more conducive to human health and environmental protection.



TUV marking

The product complies with the requirements of the applicable UL Directive.



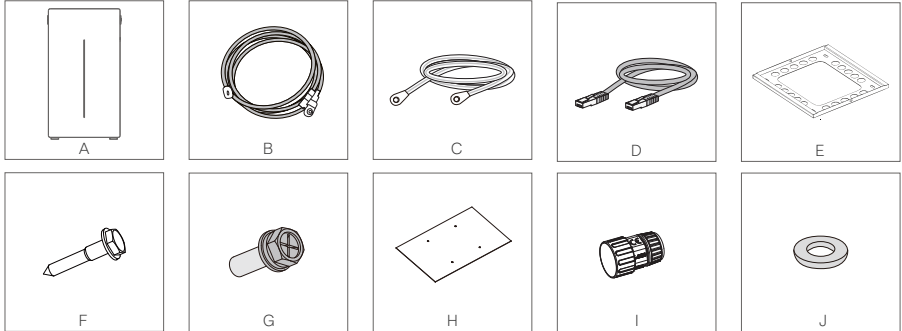
FCC marking

This product complies with FCC certification in the United States.

4. Unpacking and storage

4.1 Scope of delivery

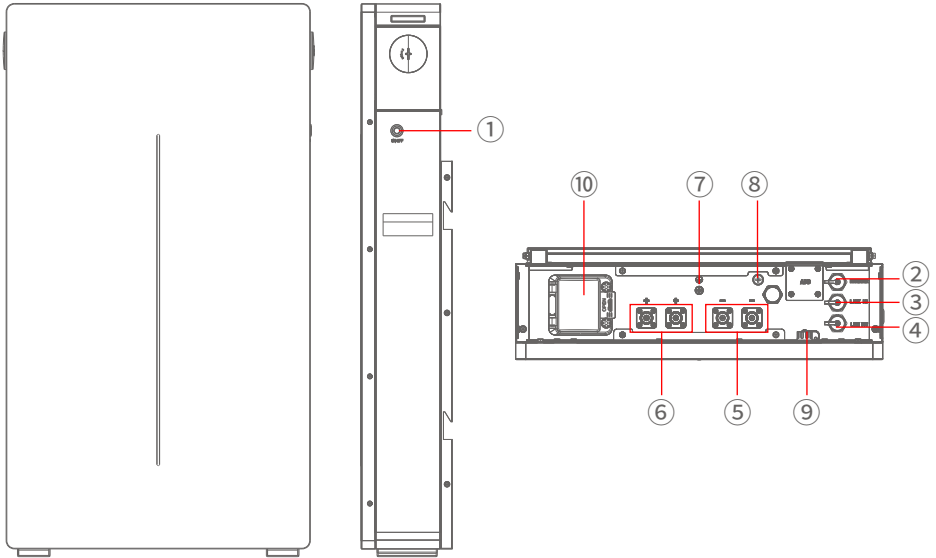
Check the scope of delivery for completeness and any visible external damage. Contact your supplier if the package is damaged upon delivery or is incomplete or damage.



Object	Item Name	Details	Quantity	Notes
A	Battery	550x165x1000mm 21.7x6.5x39.4 in	1 PCS	
B	Power Cable	Positive: red plug, 1 AWG, L:1.5 m (59.06 in) to SC70-10 ring terminal. Negative: black plug, 1 AWG, L:1.5 m (59.06 in) to SC70-10 ring terminal.	1 SET	Continuous current capacity: 200A
C	Grounding Cable	Ground cable yellow & green/L:1 m (39.37 in)/ double OT M6	1 PCS	
D	Communication cable	Standard network cable black/L:1.5 m (59.06 in)/Double RJ45 Plug	1 PCS	
E	Mounting Plate		1 PCS	
F	Self-tapping Screw	ST9.5*60mm	4 PCS	
G	Screw	M5*16 mm	2 PCS	
H	Mounting Positioning Board		1 PCS	
I	RJ45 Water proof Wiring Terminal		3 PCS	
J	Gasket		4 PCS	

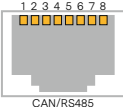
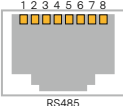
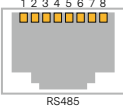
5. Product Overview

5.1 Interfaces and functions



Number	Name	Details	Notes
1	Power Switch		Red LED: ALARM, Blue LED: RUN
2	INVERTER	RJ45	CAN communication to the inverter
3	LINK IN	RJ45	Internal RS485 communication between batteries
4	LINK OUT	RJ45	Internal RS485 communication between batteries
5	Port Negative x2	P-	Connected to the negative terminal of the inverter
6	Port Positive x2	P+	Connected to the positive terminal of the inverter
7	GND	M6	Yellow/Green, 10 AWG
8	Venting Valve		
9	Wi-Fi Socket		For Wi-Fi stick
10	125A DC Breaker		

• RJ45 Port Pin Definition

View	Item	Description	1	2	3	4	5	6	7	8
 <p>CAN/RS485</p>	2	INVERTER	-	RS485-A	RS485-B	CAN-H	CAN-L	GND	-	-
 <p>RS485</p>	3	LINK IN	-	BMS-RS485-A	BMS-RS485-B	DI+	DI-	NC	BMS-CAN-H	BMS-CAN-L
 <p>RS485</p>	4	LINK OUT	-	BMS-RS485-A	BMS-RS485-B	DO+	DO-	NC	BMS-CAN-H	BMS-CAN-L

6. Mounting

6.1 Installation environment requirements

1. Ensure that the equipment is installed in a dry and well-ventilated environment.
2. The installation position must be away from direct sunlight and rain.
3. The installation position must be far away from fire sources.
4. The installation position must be far away from water sources such as taps, sewer pipes, and sprinklers to prevent water seepage.
5. Do not expose the equipment to flammable or explosive gas or smoke.
6. Humidity:5-95%RH (non-condensing); Operating temperature: 5°F~-131°F.



Max 131°F

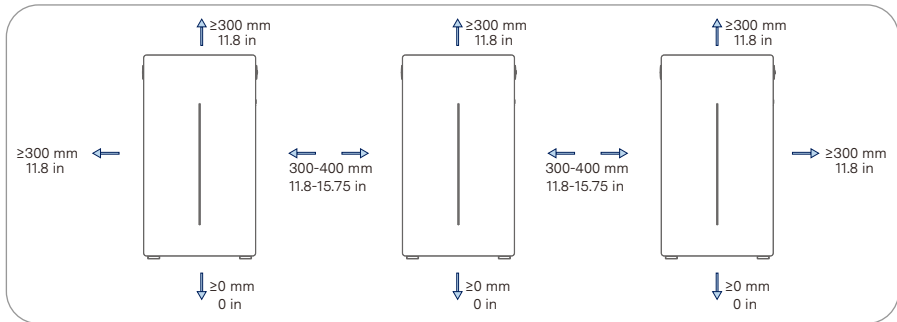


Min 5°F

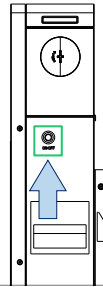


RH:5-95%

6.2 Wall Mounting Steps



After opening the box, perform a power on test. Firstly, the blue light will flash continuously, followed by a red light that will flash once. After that, the battery will enter a normal working state, and the blue light will continue to flash.

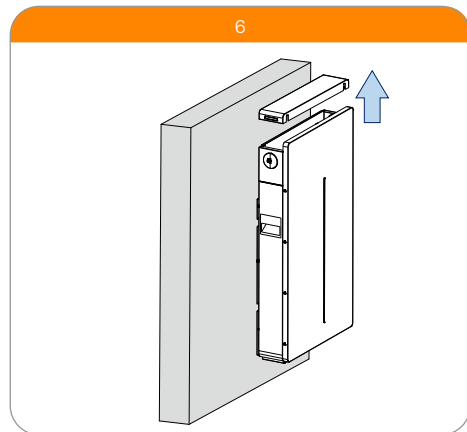
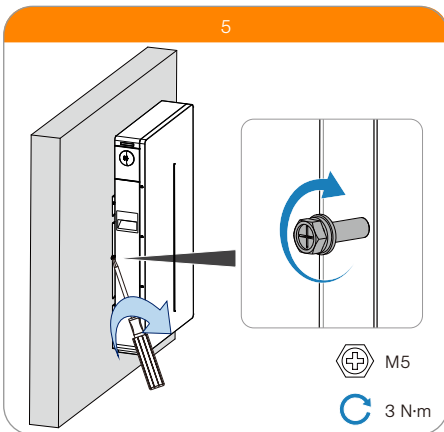
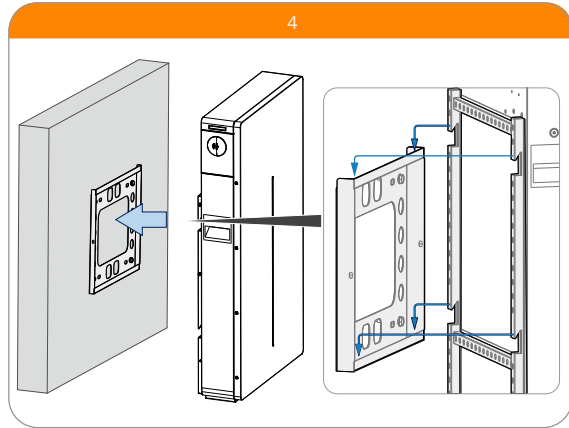
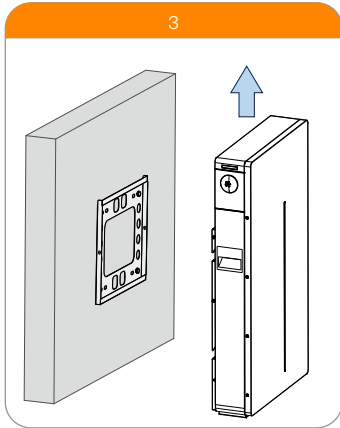
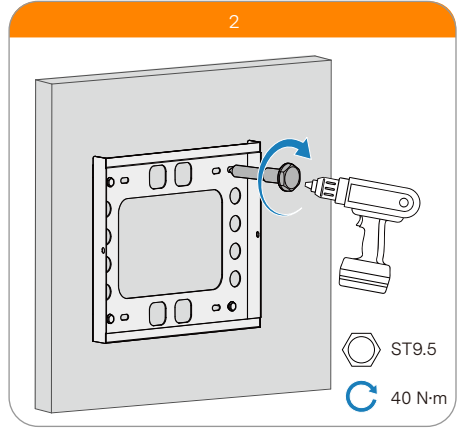
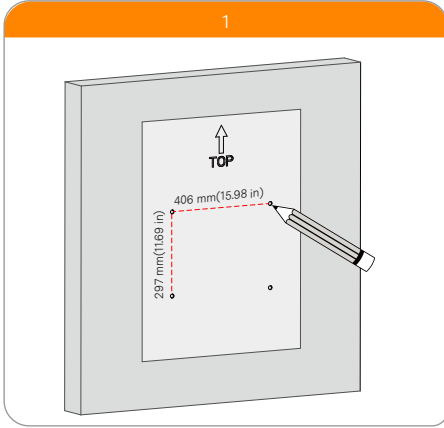


CAUTION

- The walls may contain electrical cable or pipes (for example, gas or water). Ensure that power cable or pipes are not damaged when drilling.
- Injuries may result if the product is lifted incorrectly or dropped while being transported or mounted.
- Wear suitable personal protective equipment, in accordance with local regulations, when working on the product.

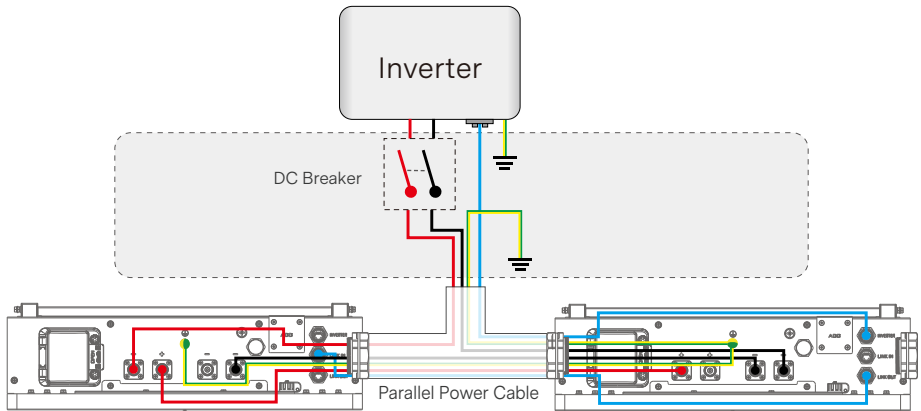
NOTICE

- ST9.5 bolts are primarily utilized for wooden walls. If you opt to install them on other types of walls, it is essential to ensure that they meet the load-bearing requirements and select the appropriate bolts accordingly.
- Ensure that the mounting locating plate is level with the floor.



7.2 Two (2) Batteries in parallel Connection

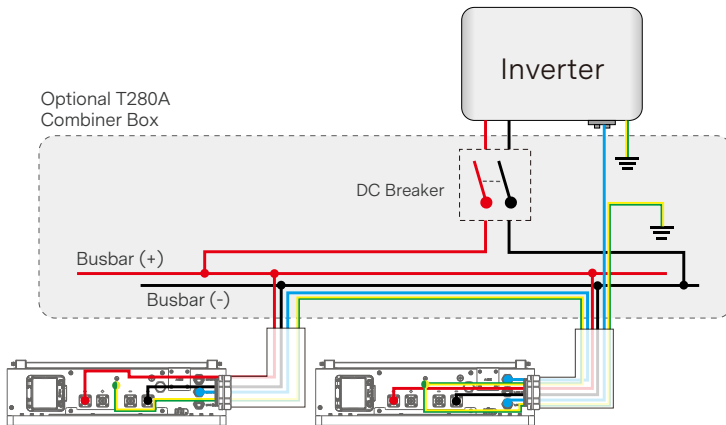
Without Busbar



⚠ WARNING

1. For parallel connection without busbar, output power is 10 kW and output current may not exceed 200A. Ensure that the inverter is limited to 200A on the battery side and install a 200A breaker between the inverter and batteries.
2. Multiple products in parallel, with equally distributed output power.
3. The parallel power cable is an optional accessory and needs to be purchased separately.

With Busbar

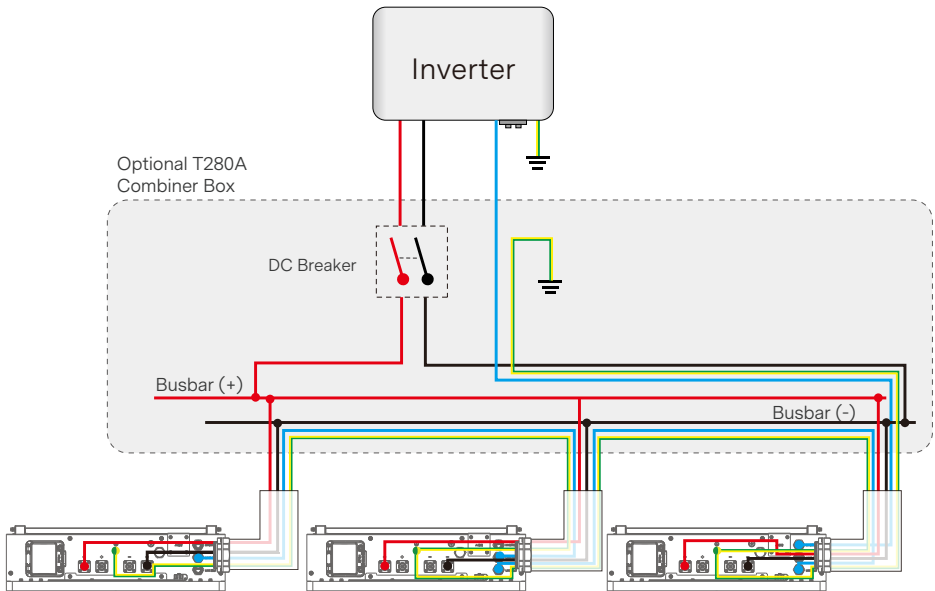


NOTICE

1. The method of cable connection with a bus-bar will output a power of $2 \times 6 \text{ kW} = 12 \text{ kW}$.
2. Install circuit breakers based on local regulations.
3. T280A Combiner Box Rated current 280A, maximum not exceeding 14KW.

7.3 Three (3) Batteries in parallel Connection

Left and right parallel battery

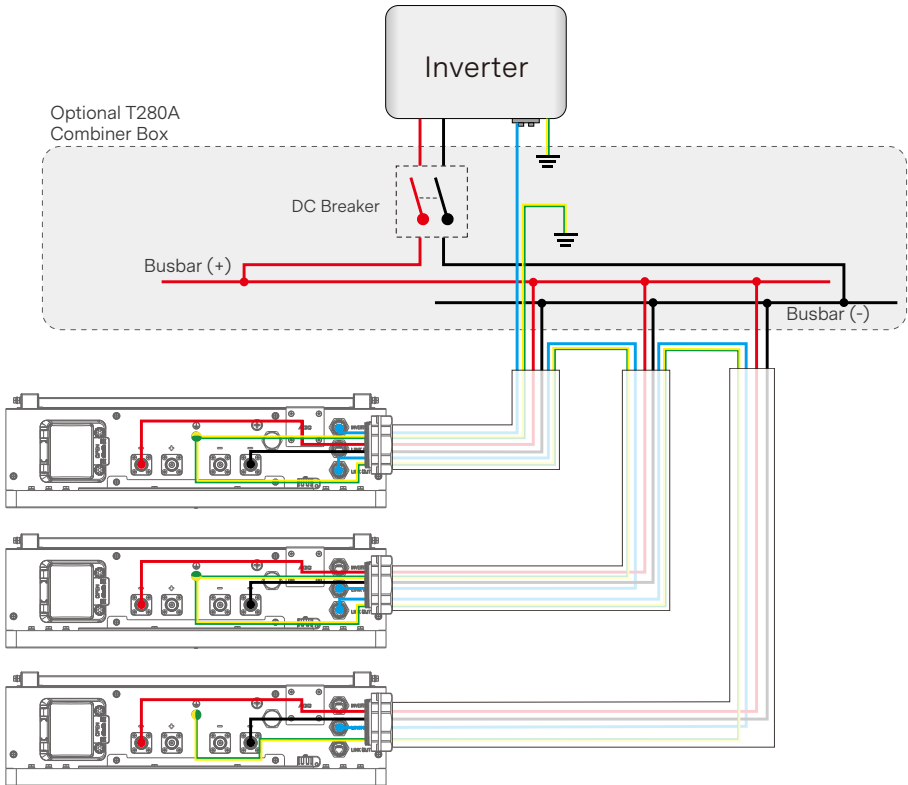


NOTICE

1. The method of cable connection with a bus-bar will output a power of $3 \times 6 \text{ kW} = 18 \text{ kW}$.
2. Max. number of parallel units: 8. Note that recommended charge and discharge power is 48 kW continuous.
3. Install circuit breakers based on local regulations.
4. If we use the standard combiner box solution we provide, T280A Combiner Box Rated current 280A, maximum not exceeding 14KW.

Front and rear parallel battery

H206 accessories are used for front and rear stacking, with a distance of 165mm/6.5in between the chassis.



NOTICE

1. The method of cable connection with a bus-bar will output a power of $3 \times 6 \text{ kW} = 18 \text{ kW}$.
2. Max. number of parallel units: 8. Note that recommended charge and discharge power is 48 kW continuous.
3. Install circuit breakers based on local regulations.
4. If we use the standard combiner box solution we provide, T280A Combiner Box Rated current 280A, maximum not exceeding 14KW.

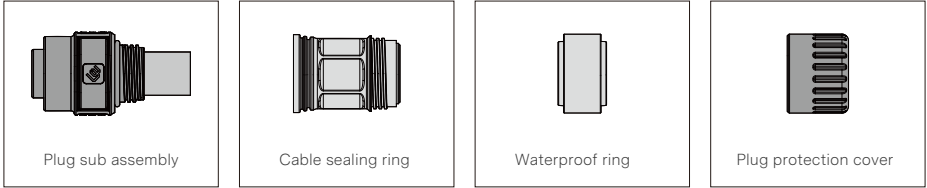
*If multiple parallel Batteries are used (≥ 4 parallel), please consult the supplier's engineer.

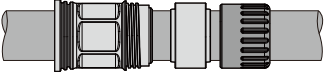
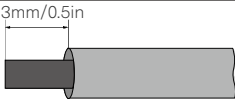
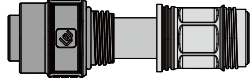

8. Electrical connection

8.1 Requirements for the Electrical connection

8.1.1 Power Cable

Material List (plug components may be purchased separately from supplier.)

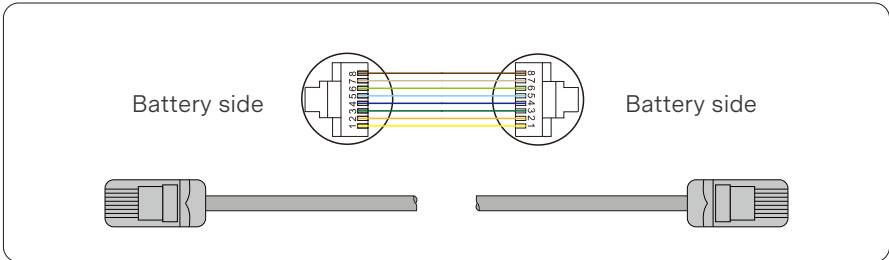


Procedure	Schematic picture
1. Route the cable through the isolation cable sealing ring and Plug protection cover.	
2. Remove 13mm/0.5in of insulation at end of cable.	
3. The red plug is used for the positive, and the black is for the negative power cable. The end of the cable is crimped at the terminal using a crimping clamp.	
4. Tighten the isolation cap and plug contact.	
5. Connect the positive and negative plug into the "+" and "-" Port of the BESS and tighten.	
6. Use isolation cap for unused DC plug.	

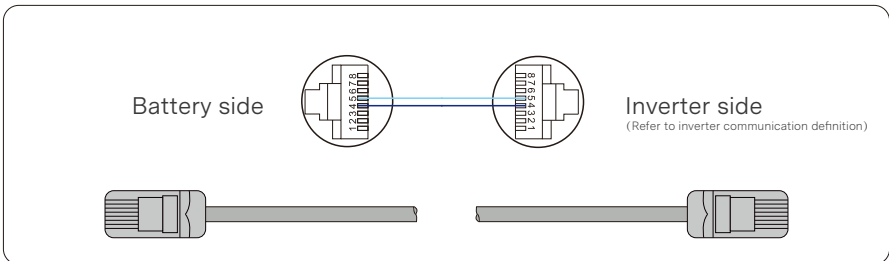
8.1.2 Communication Cable

Battery to Battery Communication Cable.

Pin definition as below, alternatively a standard straight CAT5 Ethernet cable can be used.



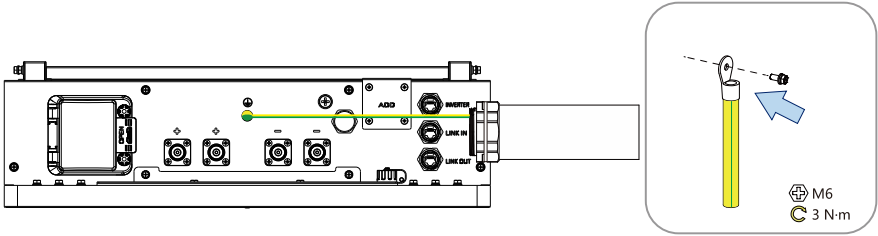
Battery to Inverter Communication Cable



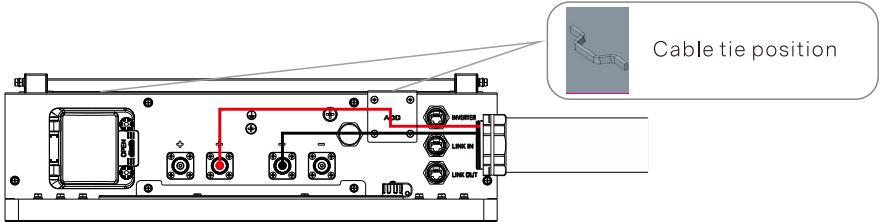
During installation, please turn off the battery power switch and check whether the power is off. The cable from the circuit breaker to the inverter is provided by the installation personnel (please refer to the Product Packaging List for cable specifications).

8.2 Electrical connection steps

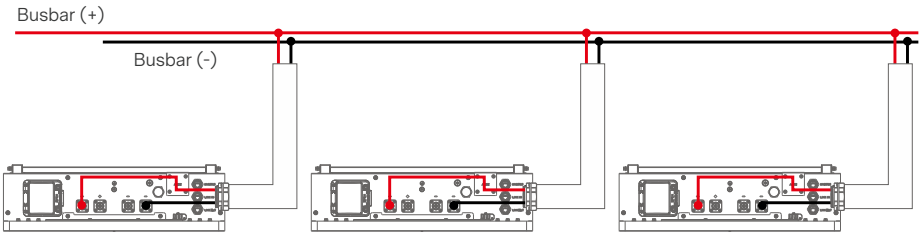
Step 1: Ground Cable Connection



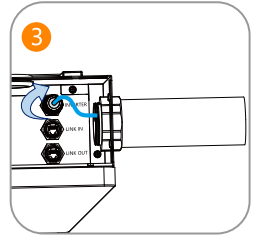
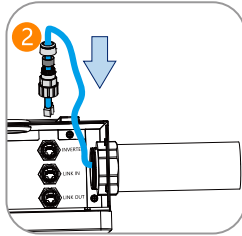
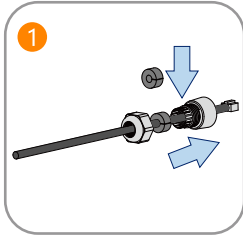
Step 2: Power Cable Connection (Single Unit)



Step 2.1: Power Cable Connection (Parallel Connection with Busbar)



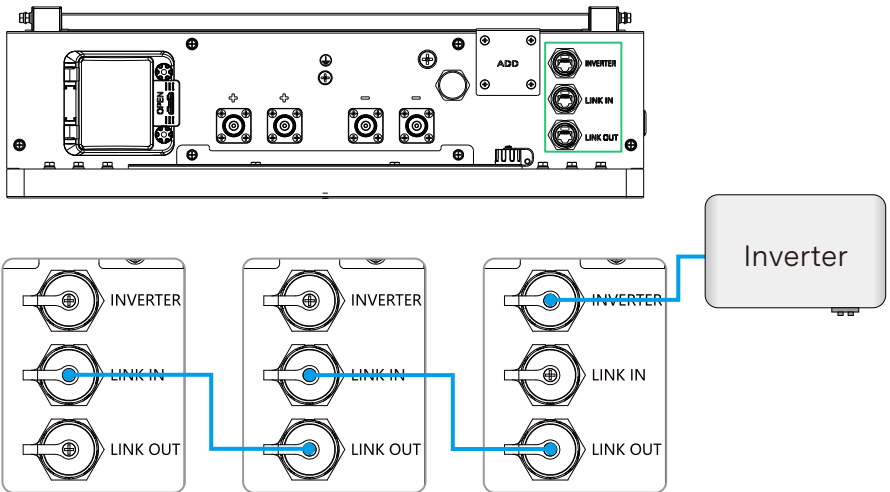
Step 3: Communication Cable Connection (Single Unit)



4

Description	1	2	3	4	5	6	7	8
BATTERY	-	RS485-A	RS485-B	CAN-H	CAN-L	GND	-	-

Step 4: Communication Connection (Parallel Connection)



NOTICE

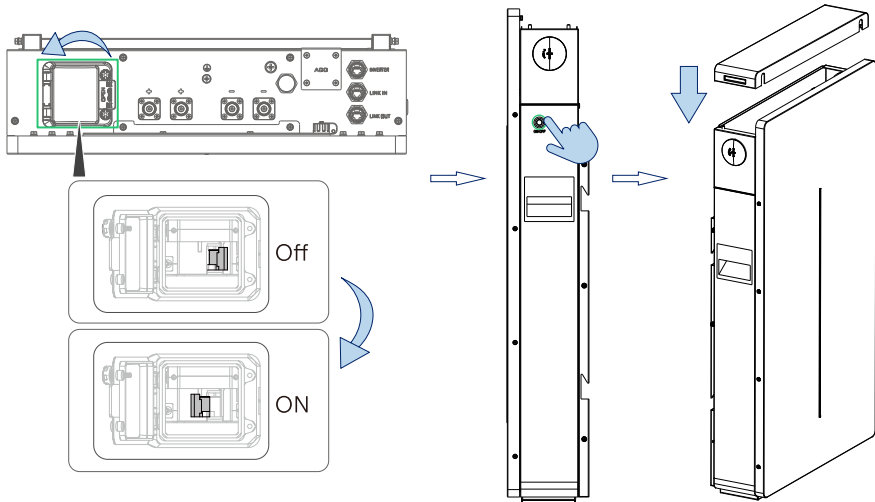
- Make sure to turn off batteries first and then connect batteries with parallel cable, otherwise it may cause the battery fail to parallel.

Step 5: Battery Activation

NOTICE

Failure to turn on all circuit breakers between the battery and inverter before tuning on the battery power switch will cause the pre-charge/soft-start functionality not to function. This would cause very high currents to flow between the inverter and battery for a short duration, potentially damaging the battery, inverter or wiring.

1. Open the cover of the circuit breaker and turn on the circuit breaker.
2. Turn on the power switch. After five seconds, a blue indicator flashes, indicating that the operation is normal.
3. Put on the cover.



Battery Status	Indicator	Indicator Status
Standby		On for 0.25s; Off for 3.75s.
Charge		On for 0.5s; Off for 1.5s.
Discharge		The indicator stays lit.
Protection Status		On for 0.5s; Off for 0.5s.
Inverter Communication Fault		On for 0.5s; Off for 0.5s.
Parallel Communication Fault		On for 0.25s; Off for 3.75s.
Alarm/Fault		The indicator stays lit.
Shutdown		The indicator is off.

9 Other

Install an isolation device (i.e. a circuit breaker) between the inverter and the battery system to run both positive and negative conductor overcurrent protection. The steps for installing isolation devices (i.e. circuit breakers) are as follows:

1. Use E25-16 terminals to connect the wiring harness to the isolation device.
2. Insert the wiring harness terminal into the connection port of the isolation device, and distinguish the positive and negative terminals of the isolation device (see the isolation device specifications for details);
3. Tighten the wiring harness terminal with screws to secure it.

Note: During installation, please turn off the battery power switch and check whether the power is off. The cable from the circuit breaker to the inverter is provided by the installation personnel. (Please refer to the Product Packaging List for cable specifications)

10 Routine maintenance

To ensure the long-term running of the energy storage system, you are advised to maintain batteries regularly.

Check content	Inspection method	Maintenance cycle
System cleanliness	Check whether the appearance of the system is damaged or deformed.	Once every 6 to 12 months
System running state	<ol style="list-style-type: none"> 1. Check that the battery does not generate abnormal sound when it is in operation. 2. Check that the battery parameters are correctly set when the battery is running. 	Once every 6 months
Electrical connection	<ol style="list-style-type: none"> 1. Check that cables are secured. 2. Check that cables are intact, and that in particular, the parts touching the metallic surface are not scratched. 	Once every 6 months
Ground reliability	Check that ground cables are securely connected.	The first inspection is 6 months after the initial commissioning. From then on, the interval can be 6 to 12 months.

11 Recycling disposal

The batteries may only be disposed of in accordance with the disposal regulations for used batteries applicable at the time of disposal. Immediately decommission any damaged batteries and please contact your installer or sales partner first before disposal. Ensure that the battery is not subjected to moisture or direct sunlight. Ensure quick removal by your installer.

- Batteries, including rechargeable batteries, may not be disposed of in household waste. You are legally obligated to return used batteries.
- Used batteries may contain pollutants that can damage the environment or harm your health if they are not stored or disposed of properly
- Batteries also contain important raw materials such as iron, zinc, manganese, copper, cobalt or nickel and can be recycled.

Do not dispose of batteries in household waste!



ELIOS | LITIO 10.2